

PRODUCT DETAILS

BiANCO NXT PRO is a single pump, dual mode, digital, electronic pump controller. The PRO controller has a number of optional advanced features but out of the box, the NXT PRO is simple to use.

Mode 1. (Default) Pressure controller

Starts as pressure falls to a user adjustable level.

Stops when flow falls to less than 1 l/min.

Mode 2. Pressure switch (requires pressure tank)

Starts and stops according to user adjustable settings

With full push-button programming, NXT PRO has a digital display to provide information about the running state of the pump(s)

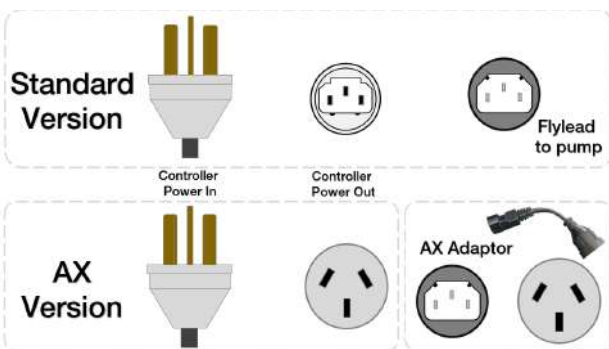


APPLICATIONS

- Control of pressure pumps up to 2.2kW (16 amp)
- Suitable for clean, non-volatile liquids without fibres or solids including potable water

ADVANCED FEATURES

- Swivel unions - 1" or 1 1/4" BSPM
- Pump Protections: Dry run, Low flow, Frequent start, Underload, Overload, Over pressure, Anti-seize, Maximum continuous run time
- No reactive metal parts in contact with the water
- Generator compatible
- Removable pressure accumulator exposes 1" BSPF port

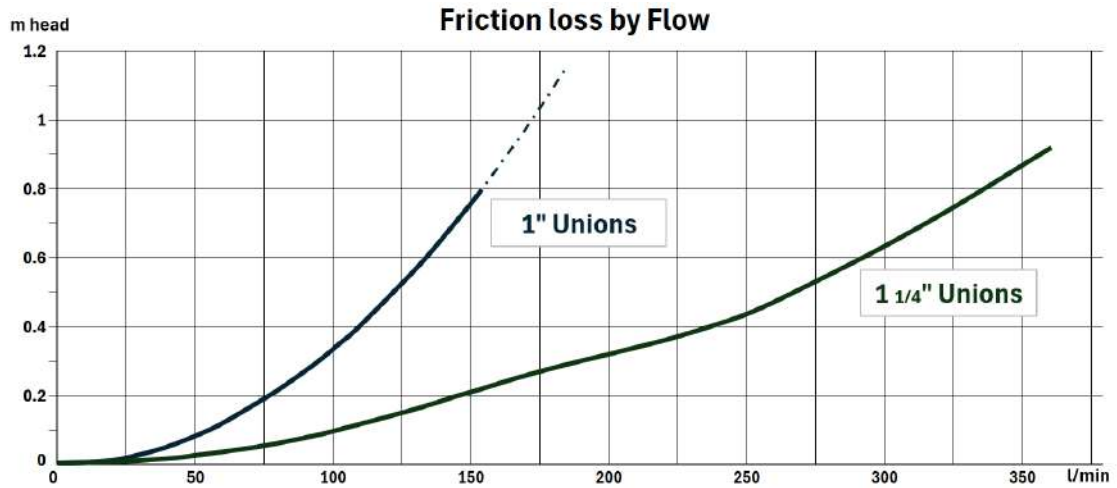


TECHNICAL DATA

INPUT VOLTAGE	80 - 260 AC 1 Phase
MAX. WORKING TEMP	35 deg C
MAX TEMP	60 deg C
MAX RATED PRESSURE	10 bar
MAX RATED FLOW	1" Port: 150 l/m @ 0.8 bar loss 1 1/4" Port: >350 l/m @ 0.8 bar loss
INLET/OUTLET	1" BSPM / 1" BSPM (std)
NET WEIGHT	2.1kg

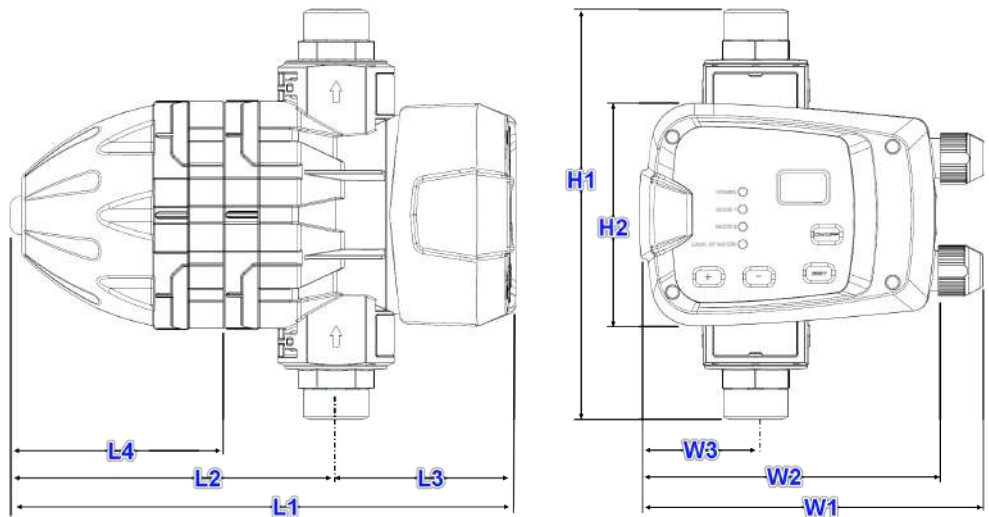
MAXIMUM CURRENT	1 Amps
NOMINAL PUMP POWER	2.2 kW
INGRESS PROTECTION	IP65
AUTOMATIC	Yes, with dry run protection
DEFAULT START PRESSURE	2.2 bar - adjustable
POWER CABLE	1.5m H05, 10 amp plug Controller to pump - options.
DIMENSIONS	212H x 175W x 225L

CURVE



DIMENSIONS

DIMENSIONS	
H1	212mm
H2	115mm
W1	175mm
W2	152mm
W3	57mm
L1	261mm
L2	93mm
L3	168mm
L4	(121mm)



WARRANTY / CERTIFICATIONS

